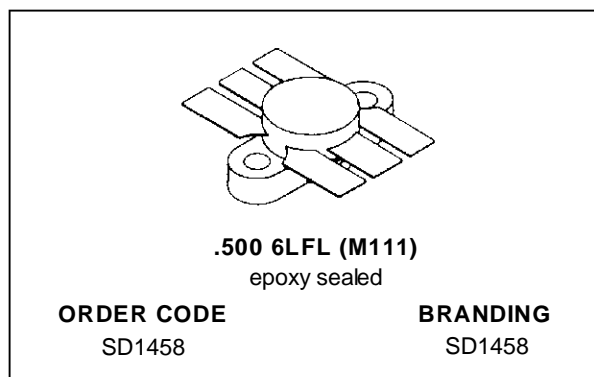
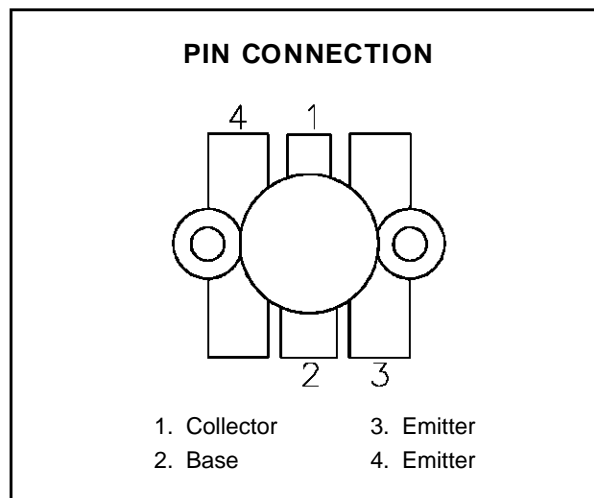


**RF & MICROWAVE TRANSISTORS
TV\LINEAR APPLICATIONS**

- 170 - 230 MHz
- 28 VOLTS
- IMD -55 dB
- COMMON EMITTER
- GOLD METALLIZATION
- INTERNAL INPUT MATCHING
- HIGH SATURATED POWER CAPABILITY
- DESIGNED FOR HIGH POWER LINEAR OPERATION
- P_{OUT} = 14 W MIN. WITH 14.0 dB GAIN


DESCRIPTION

The SD1458 is a gold metallized epitaxial silicon NPN planar transistor using diffused emitter ballast resistors for high linearity Class A operation in VHF and band III television transmitters and transposers.


ABSOLUTE MAXIMUM RATINGS (T_{case} = 25°C)

Symbol	Parameter	Value	Unit
V _{CBO}	Collector-Base Voltage	60	V
V _{CEO}	Collector-Emitter Voltage	35	V
V _{EBO}	Emitter-Base Voltage	4.0	V
I _C	Device Current	10	A
P _{DISS}	Power Dissipation	140	W
T _J	Junction Temperature	+200	°C
T _{STG}	Storage Temperature	- 65 to +150	°C

THERMAL DATA

R _{TH(j-c)}	Junction-Case Thermal Resistance	1.5	°C/W
----------------------	----------------------------------	-----	------

SD1458

ELECTRICAL SPECIFICATIONS ($T_{\text{case}} = 25^{\circ}\text{C}$)

STATIC

Symbol	Test Conditions		Value			Unit
			Min.	Typ.	Max.	
BV_{CER}	$I_{\text{C}} = 50\text{mA}$	$R_{\text{BE}} = 10\Omega$	60	—	—	V
BV_{CEO}	$I_{\text{C}} = 50\text{mA}$	$I_{\text{B}} = 0\text{mA}$	35	—	—	V
BV_{EBO}	$I_{\text{E}} = 10\text{mA}$	$I_{\text{C}} = 0\text{mA}$	4.0	—	—	V
I_{CES}	$V_{\text{CE}} = 50\text{V}$	$I_{\text{E}} = 0\text{mA}$	—	—	5	mA
h_{FE}	$V_{\text{CE}} = 5\text{V}$	$I_{\text{C}} = 1\text{A}$	10	—	100	—

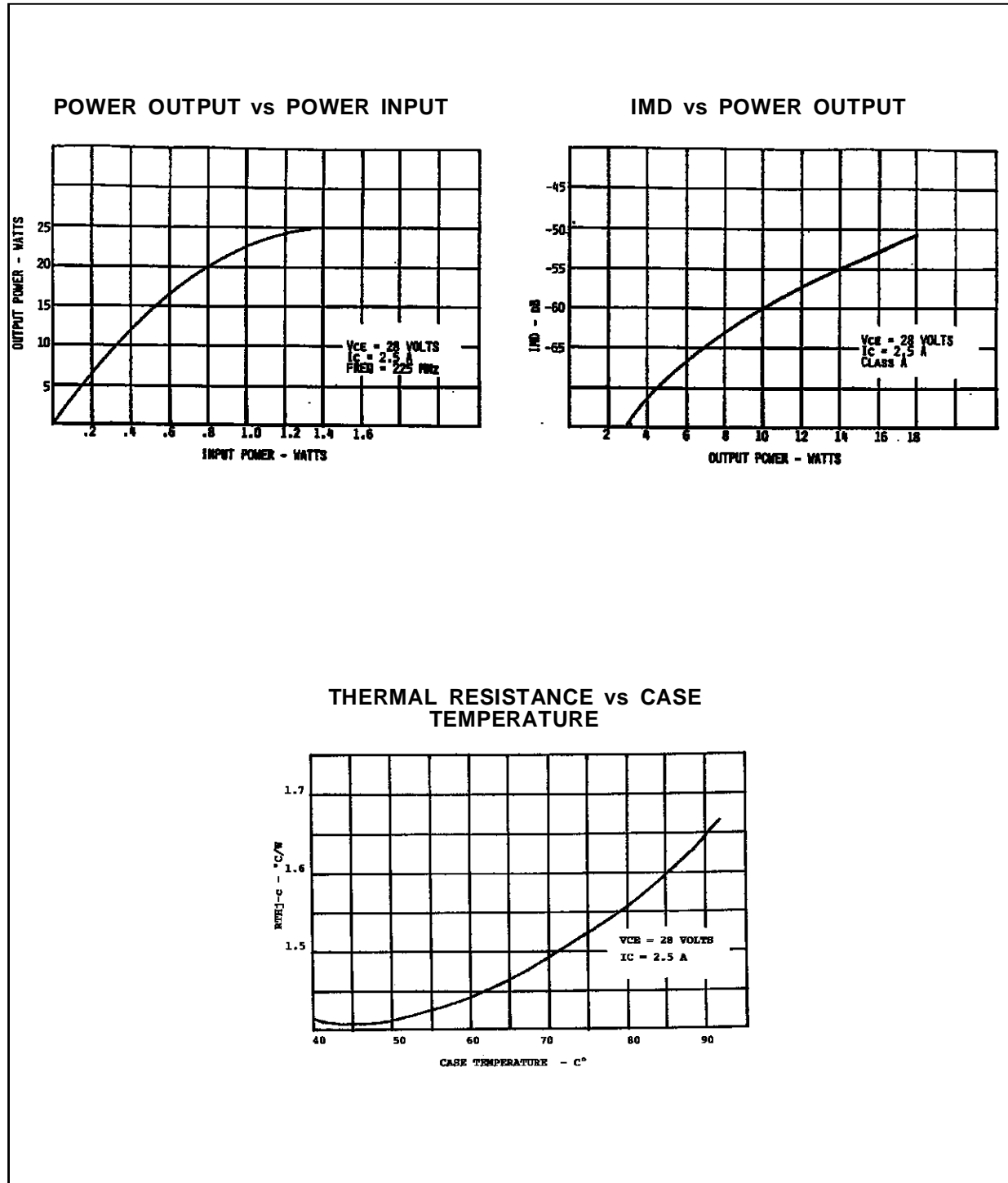
DYNAMIC

Symbol	Test Conditions			Value			Unit
				Min.	Typ.	Max.	
P_{OUT}	$f = 225\text{ MHz}$	$V_{\text{CE}} = 28\text{ V}$	$I_{\text{C}} = 2.5\text{ A}$	14	—	—	W
G_{P}	$f = 225\text{ MHz}$	$V_{\text{CE}} = 28\text{ V}$	$I_{\text{C}} = 2.5\text{ A}$	14	—	—	dB
IMD_3	$f = 225\text{ MHz}$	$V_{\text{CE}} = 28\text{ V}$	$I_{\text{C}} = 2.5\text{ A}$	—	—	-55	dBc
C_{OB}	$f = 1\text{ MHz}$	$V_{\text{CB}} = 28\text{ V}$		—	—	80	pF

Note: IMD_3

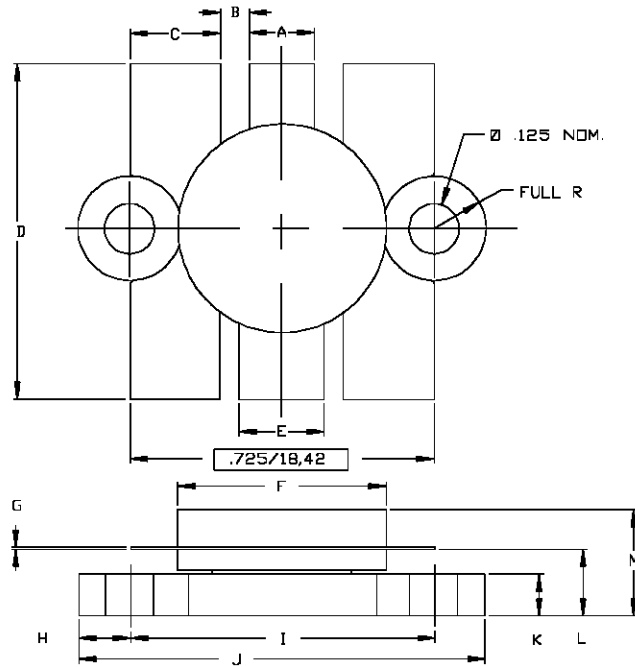
- Vision Carrier - 8dB
- Sound Carrier - 7dB
- Sideband Carrier - 16dB

TYPICAL PERFORMANCE



PACKAGE MECHANICAL DATA

Ref.: Dwg. No.12-0111



SGS-THOMSON MICROELECTRONICS			CONT'D		
	MINIMUM Inches/mm	MAXIMUM Inches/mm		MINIMUM Inches/mm	MAXIMUM Inches/mm
A	.150/3,43	.160/4,06	K	.095/2,41	.105/2,67
B	.045/1,14		L	.150/3,81	.170/4,32
C	.210/5,33	.220/5,59	M	.280/7,11	
D	.835/21,21	.865/21,97			
E	.200/5,08	.210/5,33			
F	.490/12,45	.510/12,95			
G	.003/0,08	.007/0,18			
H	.125/3,18				
I	.720/18,29	.730/18,54			
J	.970/24,64	.980/24,89			

Information furnished is believed to be accurate and reliable. However, SGS-THOMSON Microelectronics assumes no responsibility for the consequences of use of such information nor for any infringement of patents or other rights of third parties which may result from its use. No license is granted by implication or otherwise under any patent or patent rights of SGS-THOMSON Microelectronics. Specifications mentioned in this publication are subject to change without notice. This publication supersedes and replaces all information previously supplied. SGS-THOMSON Microelectronics products are not authorized for use as critical components in life support devices or systems without express written approval of SGS-THOMSON Microelectronics.

© 1994 SGS-THOMSON Microelectronics - All Rights Reserved

SGS-THOMSON Microelectronics GROUP OF COMPANIES

Australia - Brazil - France - Germany - Hong Kong - Italy - Japan - Korea - Malaysia - Malta - Morocco - The Netherlands -
Singapore - Spain - Sweden - Switzerland - Taiwan - Thailand - United Kingdom - U.S.A